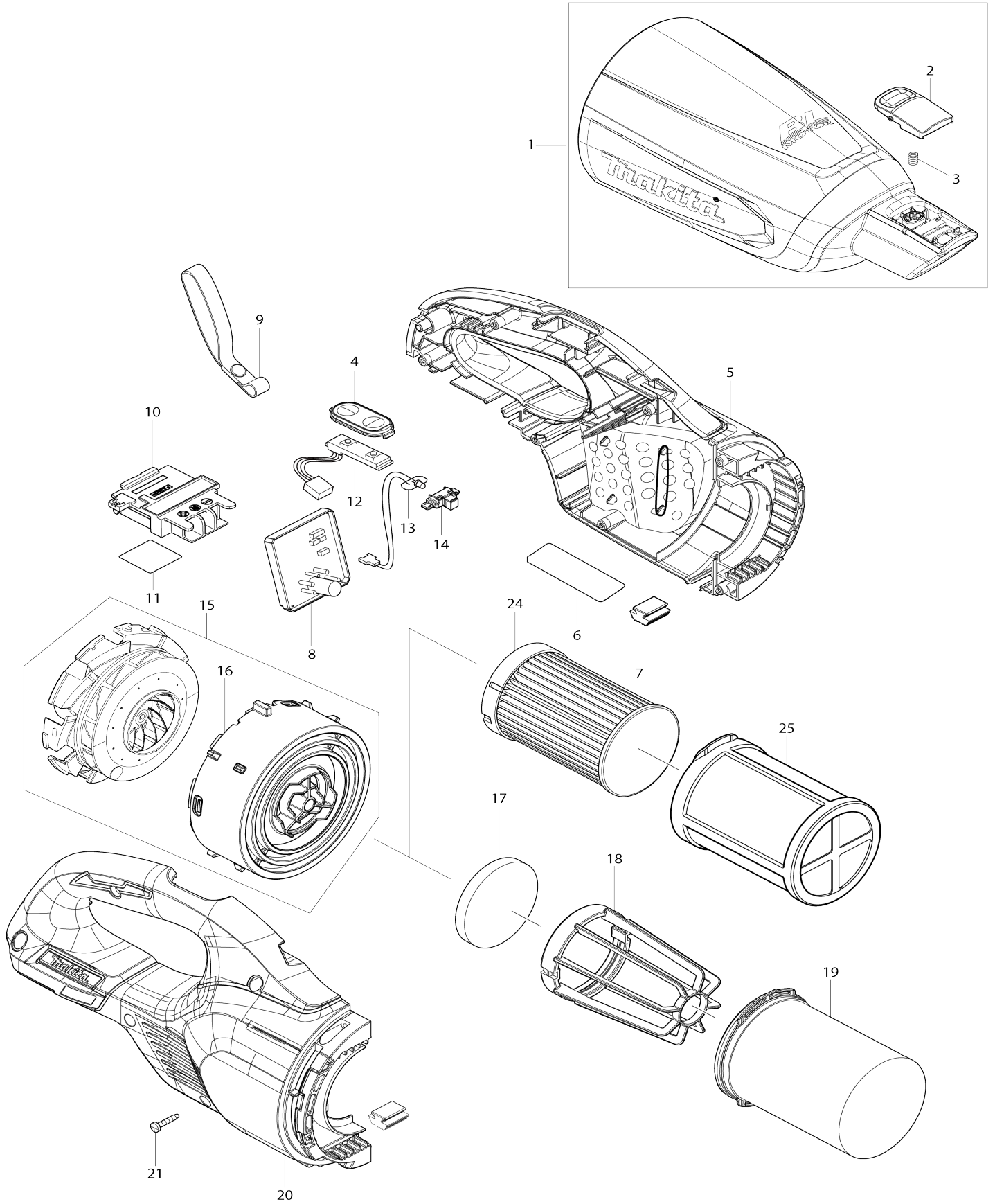


Model No.DCL281F CORDLESS CLEANER



Model No.DCL281F CORDLESS CLEANER

Item No.	Parts No.	Description	Interchangeability	Q'ty	New/Old	Sales Price (BGN)	Purchase Price(BGN)	Note1	Note2
001	136105-1	CAPSULE ASS'Y		1		14,46		01822B	1
C10	266326-2	TAPPING SCREW 4X18		1	*	0,29		STOCK	0
C11	251530-6	TAPPING SCREW 4X18	S	1					
C20	424208-6	VALVE		1		0,30		02844B	2
C30	941051-3	FLAT WASHER 4		1	*	0,29		X153A	9
001		INC. 2,3							
002	458939-5	BUTTON A		1		0,48		04833A	10
003	232485-4	COMPRESSION SPRING 5		1		0,12		Z155B	10
004	144096-2	SWITCH PLATE COMPLETE		1		2,34		W0234A	1
005	183M13-5	HOUSING SET		1		30,72		01624A	1
C10	263005-3	RUBBER PIN 6		2		0,29		Z52	23
C20	422458-7	SPONGE SHEET 55-80		2					
C30	213008-7	O RING 22.4		2		0,86		N11	10
005		INC. 7,20							
006	855T19-2	DCL281F NAME PLATE		1					
007	422460-0	RUBBER PLATE		2		0,30		04821A	2
008	620A75-5	CONTROLLER		1		83,28		07124A	1
010	643874-2	TERMINAL		1		5,61		07224B	11
011	855T26-5	DCL281F SERIAL NO. LABEL		1					
012	620A77-1	SWITCH UNIT		1		10,98		07124A	1
013	620A76-3	LED CIRCUIT		1	*	7,35		07124A	1
013-1	620E82-2	LED CIRCUIT	<	1					
014	459478-8	LENS CASE		1		0,78		04833B	0
015	136092-4	MOTOR ASS'Y		1		163,86		W0523	0
015		INC. 16							
016	459322-9	FAN COVER		1		16,95		04823B	1
017	422268-2	SPONGE SHEET 57		1		0,30		04934b	34
018	458467-0	STAY		1					
019	199966-0	EASY SHAKE OFF FILTER B SET		1		13,32		19411	5
020	183M13-5	HOUSING SET		1		30,72		01624A	1
C10	263005-3	RUBBER PIN 6		2		0,29		Z52	23
C20	422458-7	SPONGE SHEET 55-80		2					
C30	213008-7	O RING 22.4		2		0,86		N11	10
020		INC. 5,7							
021	266429-2	TAPPING SCREW 3X16		7		0,10		02511A	25
A01	123488-8	FLOOR T-NOZZLE 28 BLU		1					
C10	451410-8	ROLLER		4					
C20	268208-4	PIN 3		4					
C30	424096-1	WIPER		1	*				
C31	422963-4	WIPER	O	1					
A02	451243-1	SASH NOZZLE 28 BLU		1	*				
A02-1	413859-0	SASH NOZZLE	O	1					
A03	459356-2	PIPE		1					
A04	459355-4	NOZZLE HOLDER		1					
F07	198527-3	FLOOR/CARPET T-NOZZLE BLU		1					
F09	198529-9	FLOOR/CARPET T-NOZZLE BLK EU		1		34,00		19B43	1
F12	198538-8	SHELF BRUSH SET28 BLU		1		10,00		19343	1

F13	198540-1	SHELF BRUSH SET28 BLK EU		1		11,00		19B31	1
F16	198545-1	FLEXIBLE HOSE SET28(BLU)		1					
F17	198547-7	FLEXIBLE HOSE SET28(BLK)EU		1		27,00		19B31	0
F20	198553-2	ROUND BRUSH SET 28 BLU		1		12,00		19B31	2
F21	198555-8	ROUND BRUSH SET 28 BLK EU		1		15,00		19B31	1
F23	198751-8	PRE FILTER SET EU		1	*				
F23-1	1914X5-4	PRE FILTER SET	O	1					
F25	198753-4	EASY SHAKE OFF FILTER SET		1					
F27	198868-7	FLEXIBLE HOSE SET28(WHI)		1					
F29	198873-4	SHELF BRUSH SET28 WHI		1		10,00		18831	3
F31	198878-4	ROUND BRUSH SET 28 WHI		1		11,00		18832	3
F33	198915-4	FILTER SET		1					
F35	198919-6	LONG SASH NOZZLE SET 28 WHI		1					
F38	198990-0	LONG SASH NOZZLE SET 28 BLU		1					
F40	198992-6	LONG SASH NOZZLE SET 28 BLK		1					
F42	199038-1	SEAT NOZZLE SET 28 WHI		1					
F43	199039-9	SEAT NOZZLE SET 28 BLK		1		24,00		19B32	1
F45	199041-2	SEAT NOZZLE SET 28 BLU		1					
F46	199491-1	CYCLONE ATTACHMENT SET		1					
F48	199901-8	TOOL BAG SET		1					
F70	199971-7	HOLDER SET		1					
F71-1	1914X6-2	FILTER H SET		1					
F74	191E30-3	FLEXIBLE HOSE SET(LOCK)		1					
F77	191D71-3	CYCLONE ATTACHMENT SET (LOCK)		1					
F78	191D73-9	CYCLONE ATTACHMENT SET (LOCK)		1		80,00		16821	8
F80	191D75-5	CYCLONE ATTACHMENT SET		1		70,00		16831	5
F81	191D76-3	STRAIGHT PIPE SET 340		1					
F82	191D77-1	STRAIGHT PIPE SET 340		1		14,00		19832B	10
F83	191D78-9	STRAIGHT PIPE SET 340		1					
F85	191D80-2	STRAIGHT PIPE SET 320		1					
F88	191X06-4	NOZZLE ASSEMBLY SET		1					
F89	1910D4-2	CYCLONE UNIT SET		1		130,00		STOCK	0
F90	1910D3-4	CYCLONE UNIT SET		1					
F91	1910D5-0	CYCLONE UNIT SET		1					
F92	1911L1-0	CLEANER STAND SET		1					
F94	1915A8-3	FILTER H KIT SET		1					
C10	4131K6-6	PRE-FILTER		1					
C20	4131K7-4	FILTER H		1					

Please state Parts No. when your order.

Print Date 30.01.2025 r.